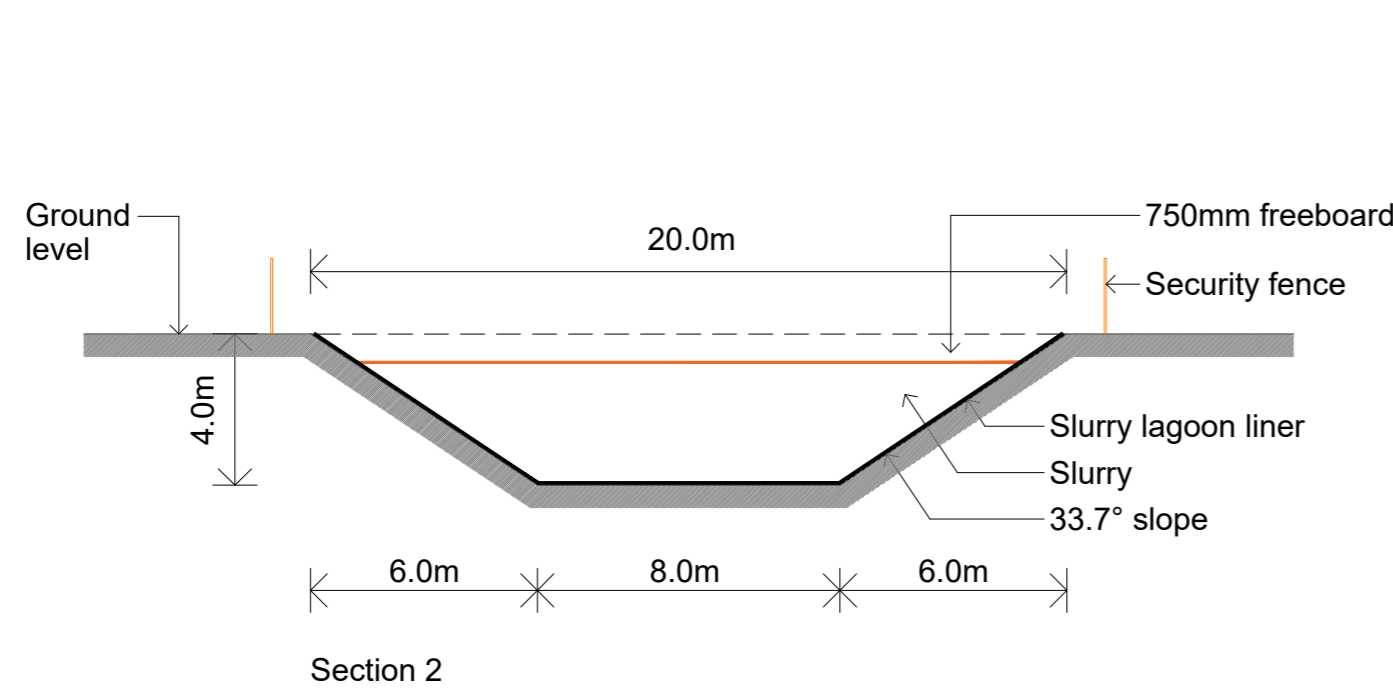
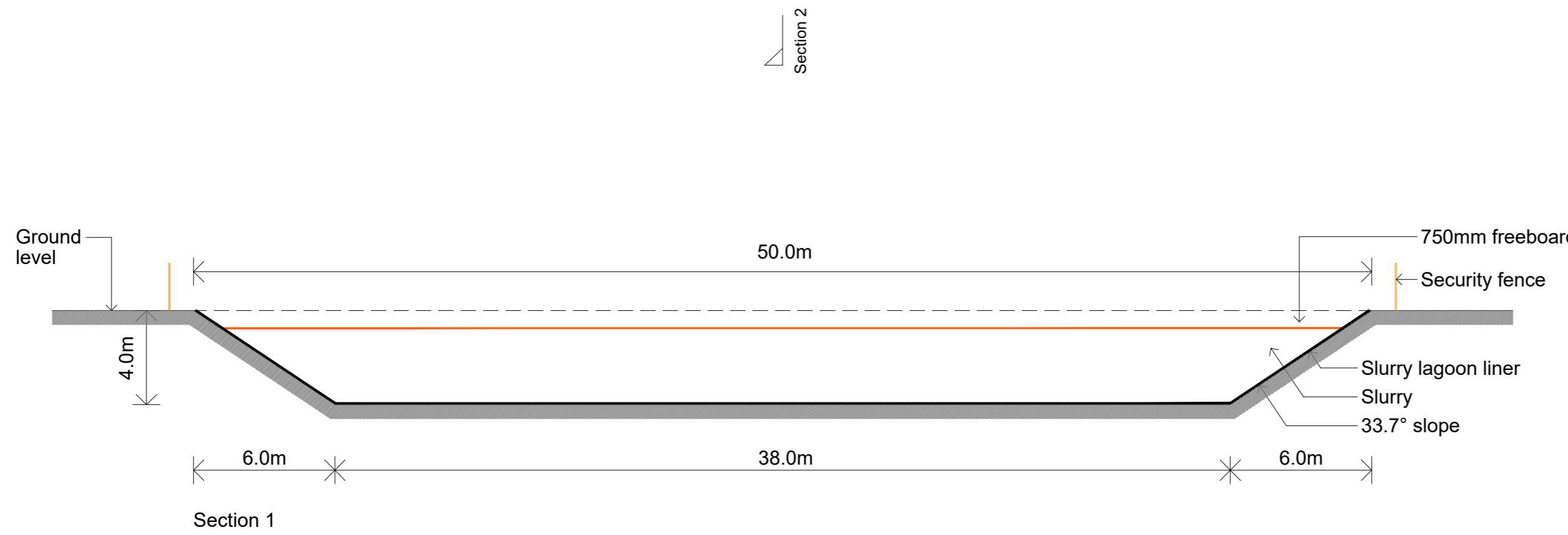
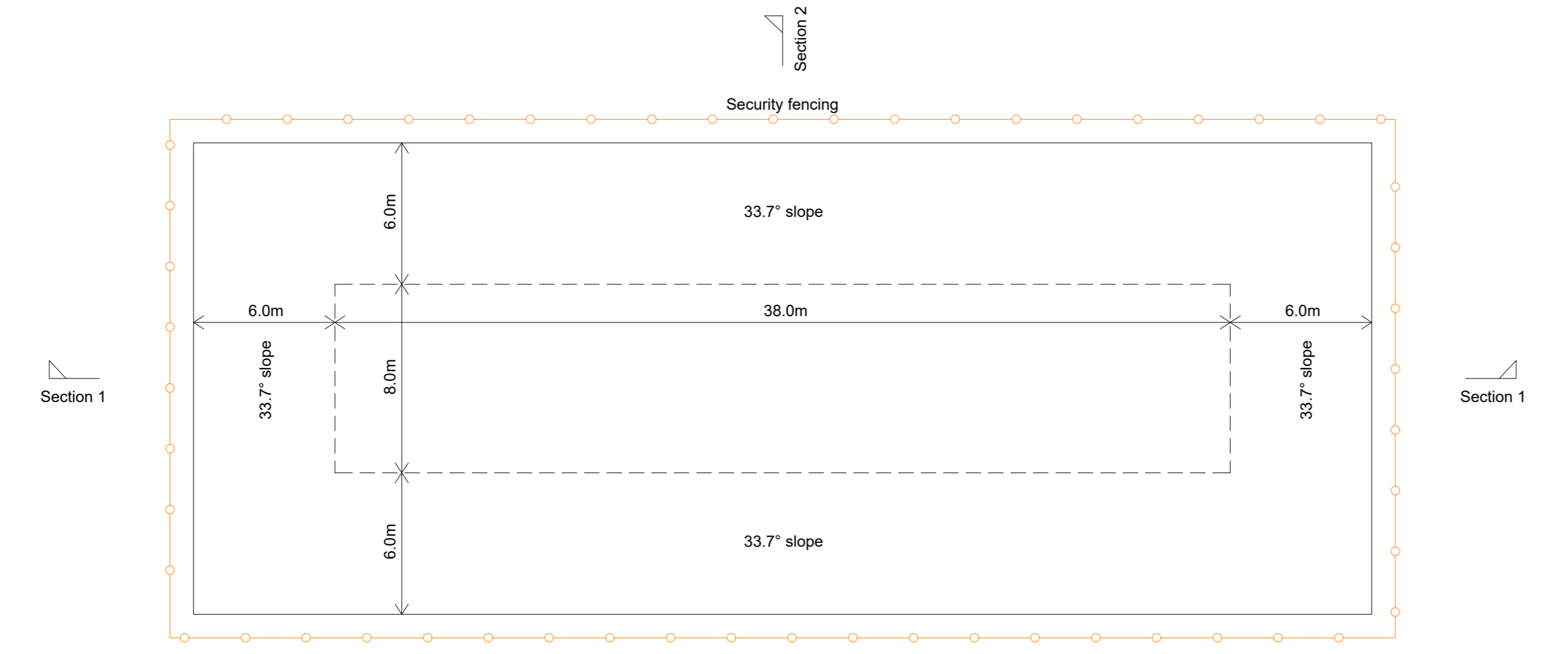


THIS DRAWING IS TO BE READ IN CONJUNCTION WITH ALL RELATED DRAWINGS. ALL DIMENSIONS MUST BE CHECKED AND VERIFIED ON SITE BEFORE COMMENCING ANY WORK OR PRODUCING SHOP DRAWINGS. THE ORIGINATOR SHOULD BE NOTIFIED IMMEDIATELY OF ANY DISCREPANCY. THIS DRAWING IS COPYRIGHT AND REMAINS THE PROPERTY ROGER PARRY & PARTNERS.



Rev	Description	Date	By
-	-	year/mm/dd	--



Residential - Agricultural - Commercial			
Project	Replacement Agricultural Building & Slurry Lagoon		
Drawing Title	Slurry Lagoon Plan & Sections		
Location	Upper Hall, Meifod, Welshpool, Powys, SY22 6HR		
Client	D N Bennett & Son		
Scale	1:200 @ A2		
Drawing No	78867 / RJC / 101	Rev	-
Drawn By	NB	Date	2024/03/13

MERCIAN HOUSE, 9 DARWIN COURT, OXON
 BUSINESS PARK, SHREWSBURY, SY3 5HJ
 Tel: 01743 791336
 E-mail: mail@rogerparry.net
 Web address: www.rogerparry.net
 Roger Parry & Partners LLP partnership no. OC312203
 Registered in England and Wales.
 A list of members of the LLP is available at the above address.