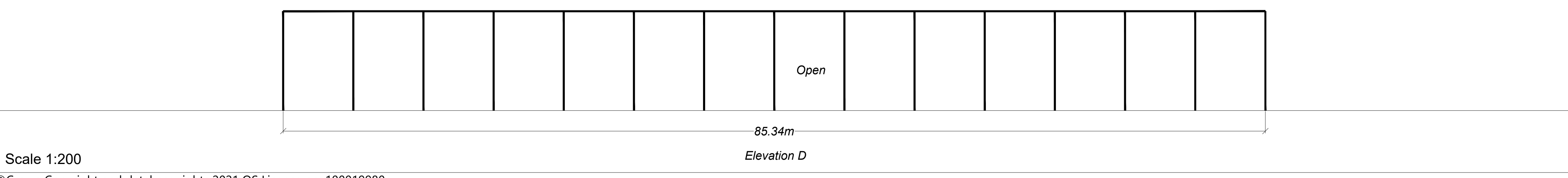
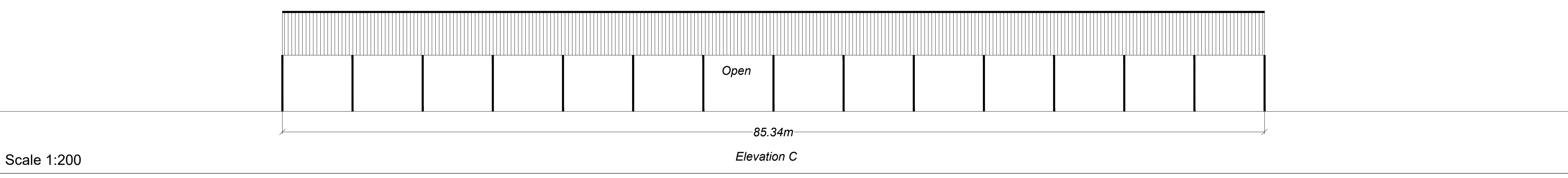
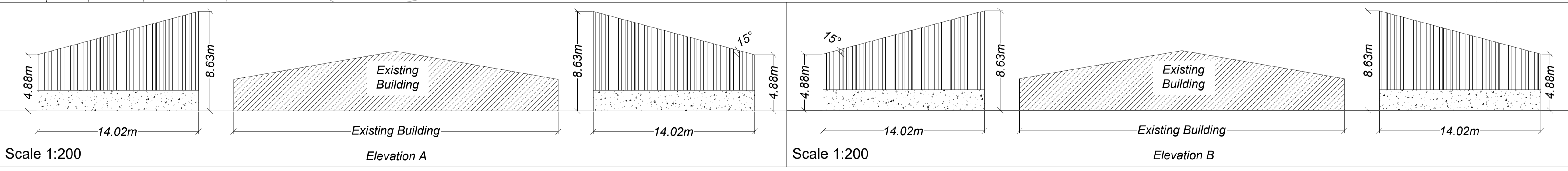
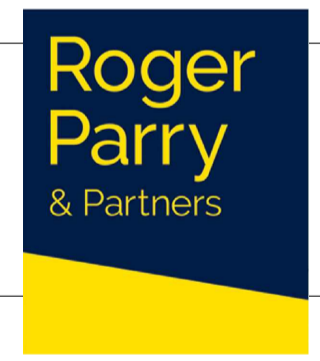


THIS DRAWING IS TO BE READ IN CONJUNCTION WITH ALL RELATED DRAWINGS. ALL DIMENSIONS MUST BE CHECKED AND VERIFIED ON SITE BEFORE COMMENCING ANY WORK OR PRODUCING SHOP DRAWINGS. THE ORIGINATOR SHOULD BE NOTIFIED IMMEDIATELY OF ANY DISCREPANCY. THIS DRAWING IS COPYRIGHT AND REMAINS THE PROPERTY ROGER PARRY & PARTNERS.

Scale 1:200



Rev	Description	Date	Dr by	App by
Original				



Residential - Agricultural - Commercial	
Job	Proposed agricultural storage sheds
Title	Proposed Elevations & Floor Plan
Location	Lower Leighton SY21 8HH
Client	Mr A M Jones
Scales	See Plan @ A1
Drawing No.	RJC-MZ757-03
Drawn by	AZ
Date	13/12/2021

HOGSTOW HALL, MINSTERLEY SHREWSBURY, SHROPSHIRE, SY5 0HZ
 Tel: 01743 791336 Fax: 01743 792770
 email: mail@rogerparry.net
 Web address: www.rogerparry.net
Roger Parry & Partners LLP Partnership no. 0012280 Registered Office: Hoggston Hall, Minsterley, Shrewsbury, SY5 0HZ Registered in England and Wales. A list of members of the LLP is available at the above address.